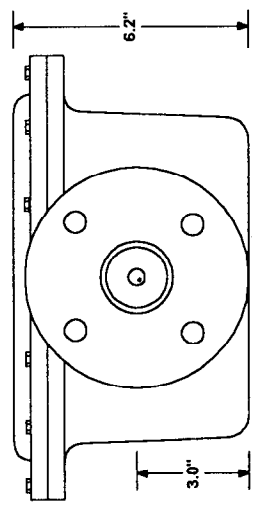
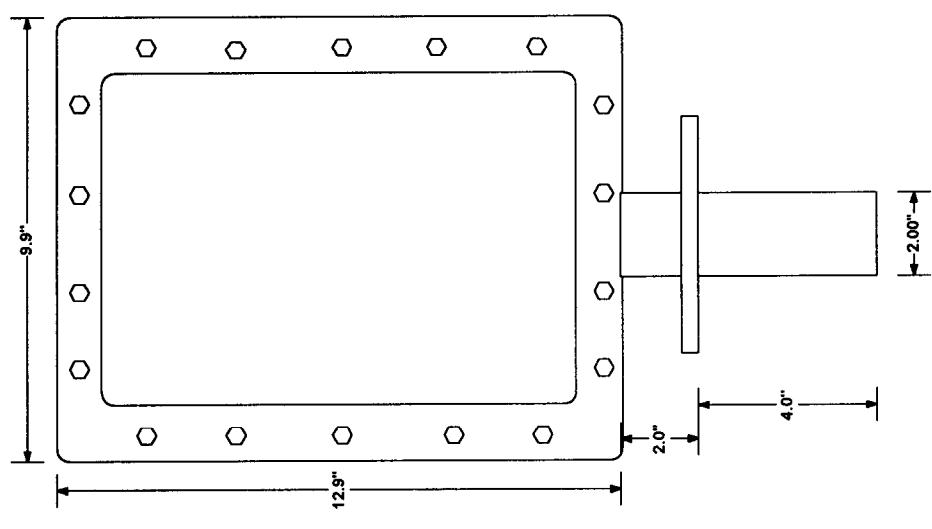


REVISIONS		
ZONE	REV.	DESCRIPTION



CONTRACT NO.		INVENTIVE SYSTEMS INC.	
APPROVALS	DATE	EXPLOSION PROOF CASE	
W.H.B	1/1/97	ANSI FLANGE	
SIZE	CAGE CODE	DWG. NO.	REV.
C	9S280		
SCALE	NONE	SHEET 1 OF 1	